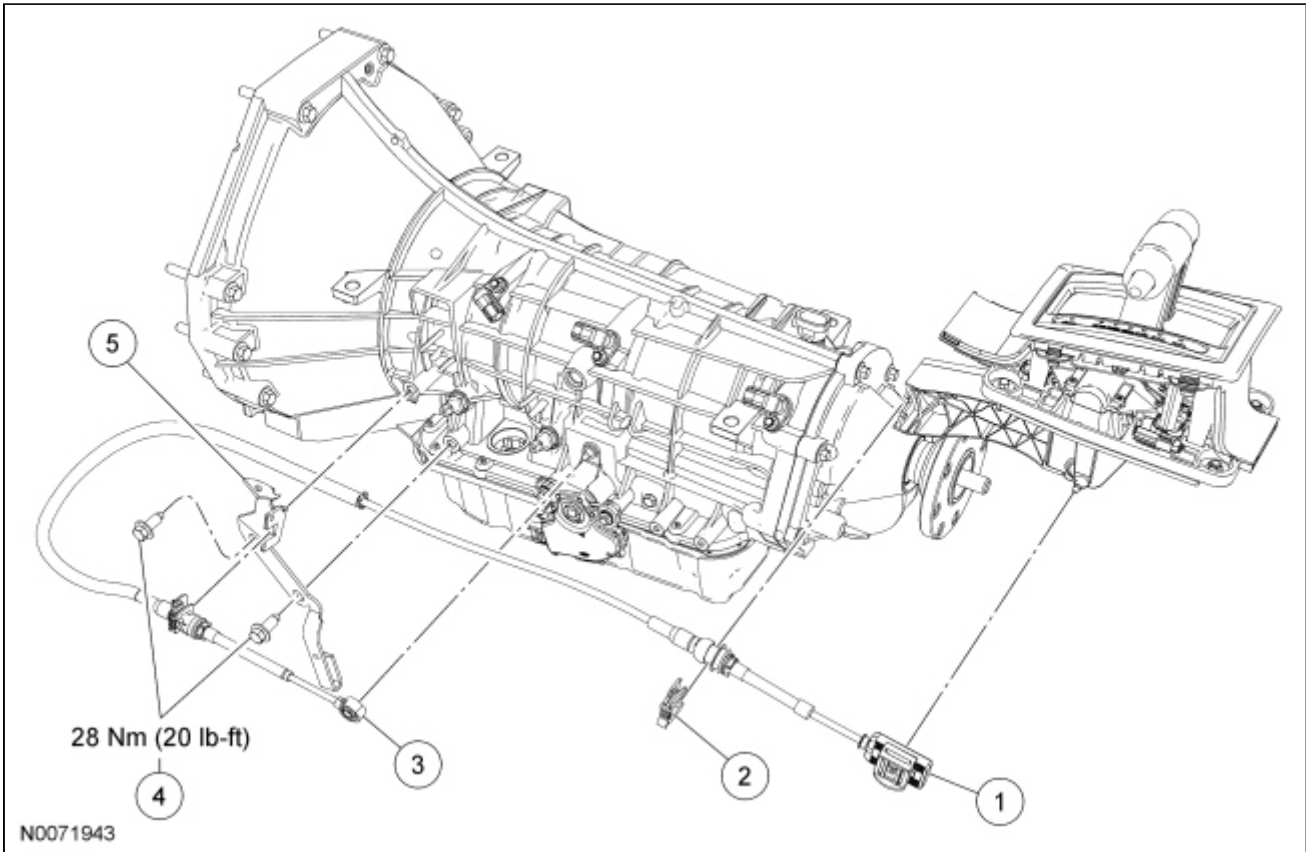


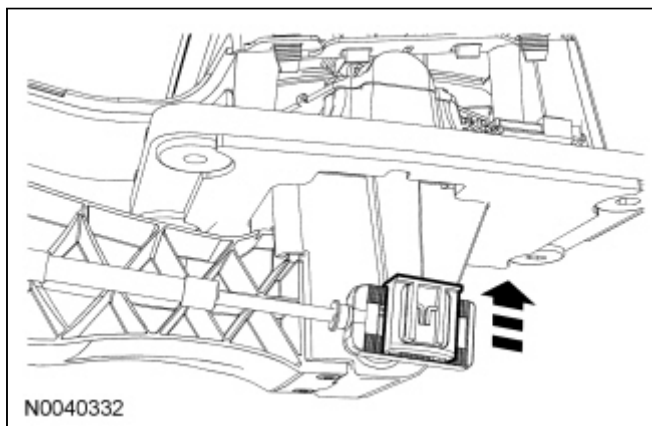
## Selector Lever Cable and Bracket

### Removal

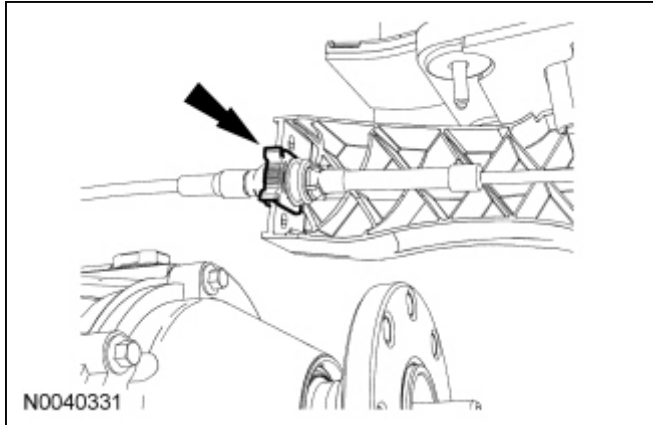


Item	Part Number	Description
1	7E395	Transmission selector lever cable
2	7H181	Transmission selector lever cable retaining clip
3	7E395	Transmission selector lever cable
4	N605918-S439	Transmission selector lever cable bracket bolts
5	7B229	Transmission selector lever cable bracket

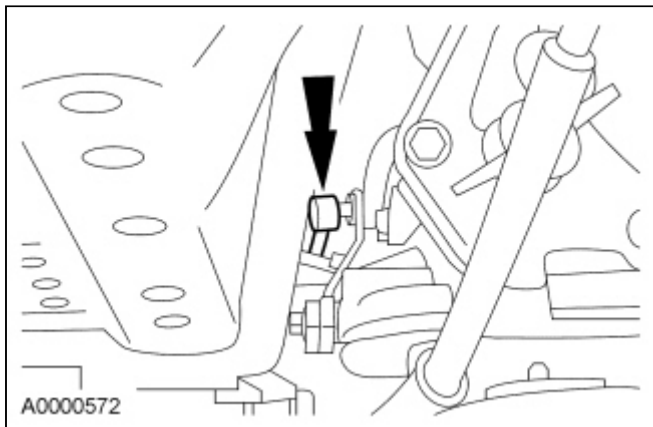
1. With the vehicle in NEUTRAL, position it on a hoist. For additional information, refer to [Section 100-02](#).
2. Remove the transmission selector lever cable from the selector lever.



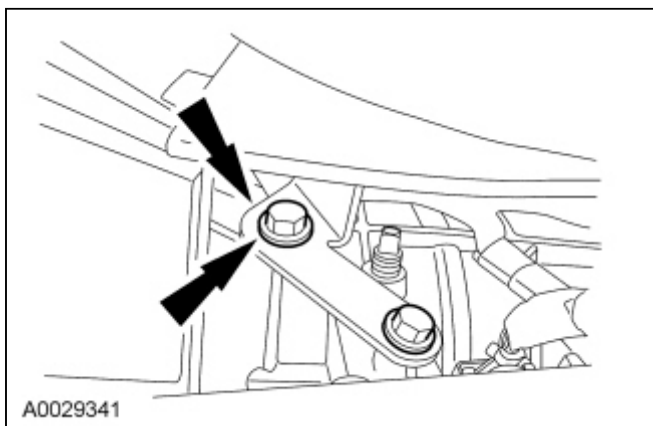
3. Remove the transmission selector lever cable from the transmission selector lever cable bracket and discard the transmission selector lever cable retaining clip.



4. Remove the transmission selector lever cable from the transmission manual control lever.

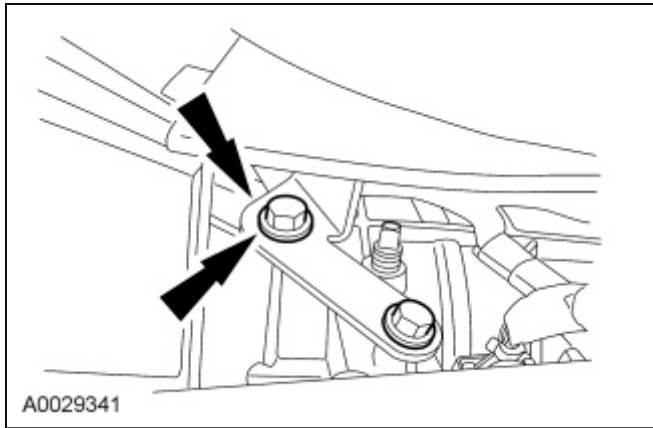


5. Remove the 2 transmission selector lever cable bracket bolts from the transmission and remove the bracket.

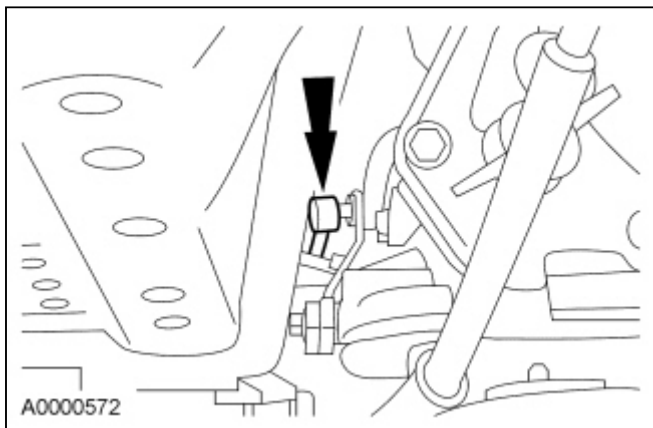


## Installation

1. Install the transmission selector lever cable bracket and install the 2 bolts.
  - Tighten to 28 Nm (20 lb-ft).

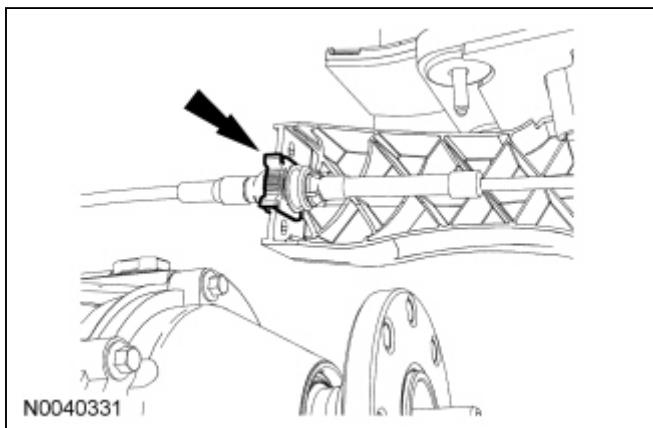


2. Install the transmission selector lever cable eyelet onto the transmission manual control lever.

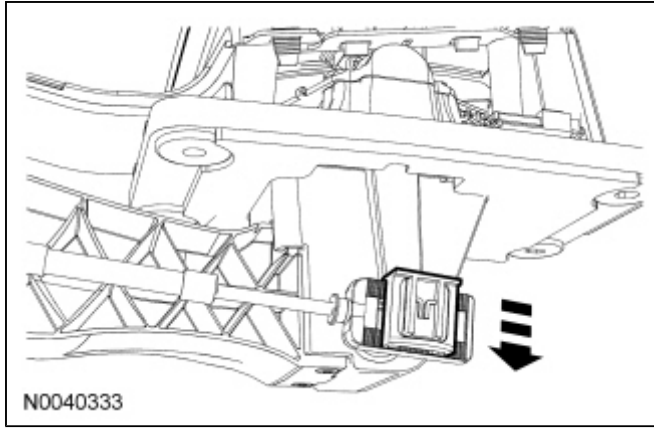


3. **NOTE:** It is necessary to install a new plastic transmission selector lever cable retaining clip prior to installation.

Install the transmission selector lever cable into the transmission selector lever cable bracket.



4. Install the transmission selector lever cable onto the selector lever and lock the selector lever cable adjustment lock.



5. Verify the transmission selector lever cable is adjusted correctly. For additional information, refer to [Selector Lever Cable Adjustment](#) in this section.
-